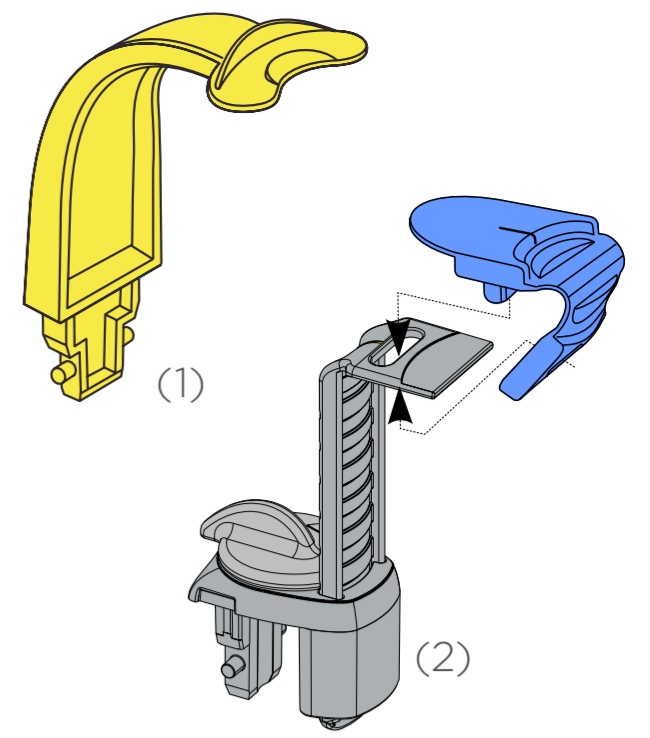


3D X-ray with Orthophos XG 3D

Patient positioning for the perfect 3D image



Notes:

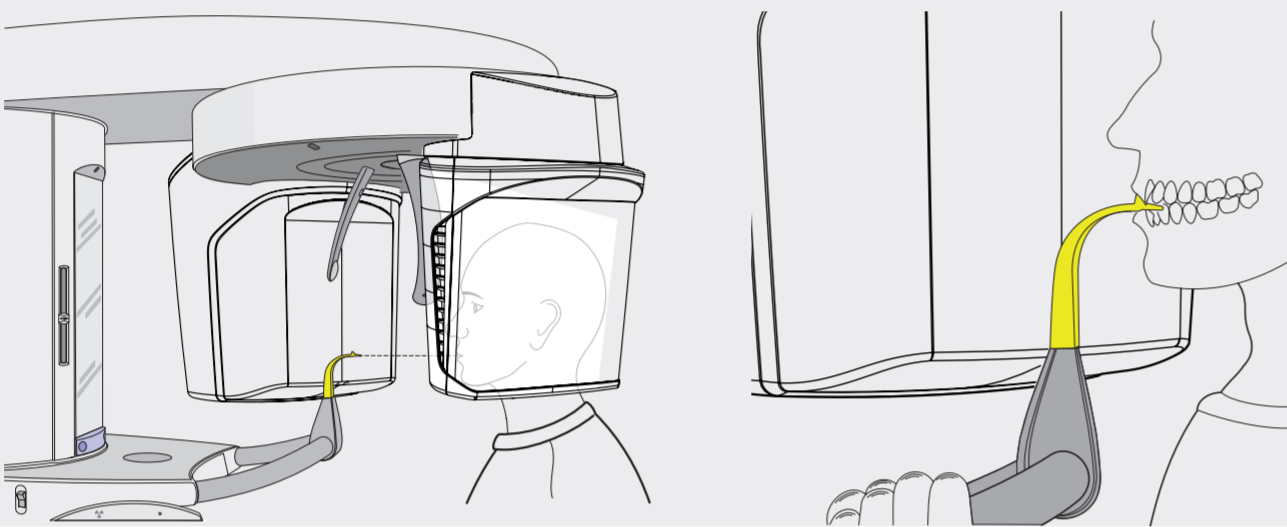
- Please use the 3D bite block (1) or the universal bite block (2)
- All volumes can be imaged with the 3D bite block (whole volumes with approx. 8 cm height and upper/lower jaw volumes with collimation to approx. 5.5 cm height). Use the blue mark of the universal bite block for volume images in the sinus area.

Preparation: Remove glasses, piercings, jewelry, and any removable dental prostheses, then put on an X-ray apron.

Hygienic protection: The appropriate hygienic protection is to be used prior to every image. This must be disposed of immediately after use.

1 Front teeth of the upper and lower jaw

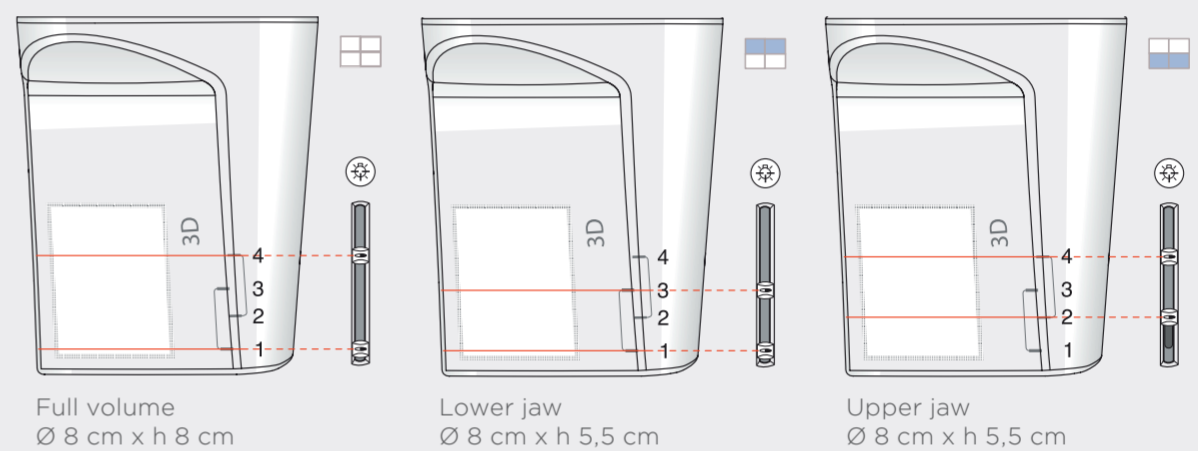
Position the front teeth of the upper and lower jaw in the marked notch of the bite block. The front teeth are then positioned exactly in the sharp slice. Ask the patient to hold the hand grips firmly with both hands.



2 Checking the volume

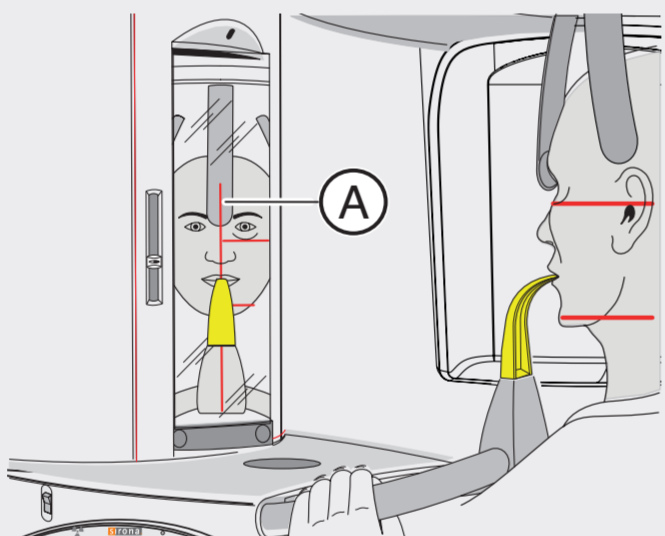
Align the light localizer with the marks on the 3D sensor.
Vol 1: Ø 8 cm, Vol 2: Ø 5 cm

- **Full volume:** 1st and 4th mark, only for Vol 1
- **Lower jaw:** 1st and 3rd mark, collimated for Vol 1 and Vol 2
- **Upper jaw:** 2nd and 4th mark, collimated for Vol 1 and Vol 2



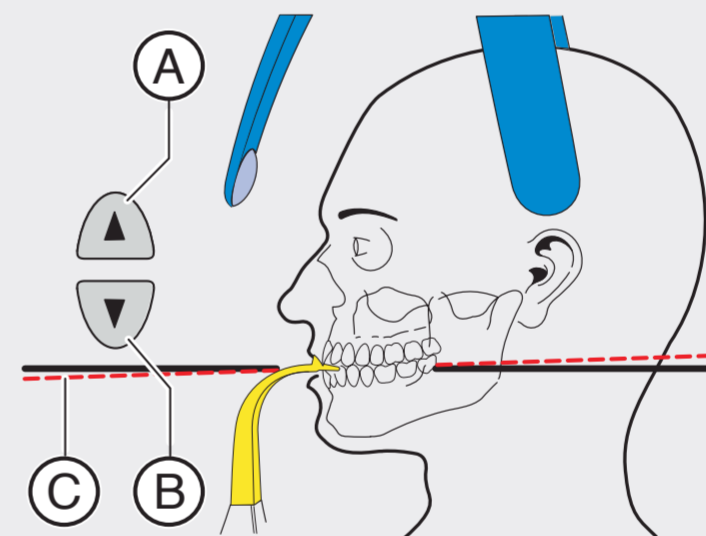
3 Checking the midsagittal plane

The light localizer is used to ensure symmetry. Align the patient (nasal root) with central light line (A) (midsagittal line). Then swivel the control mirror outwards.



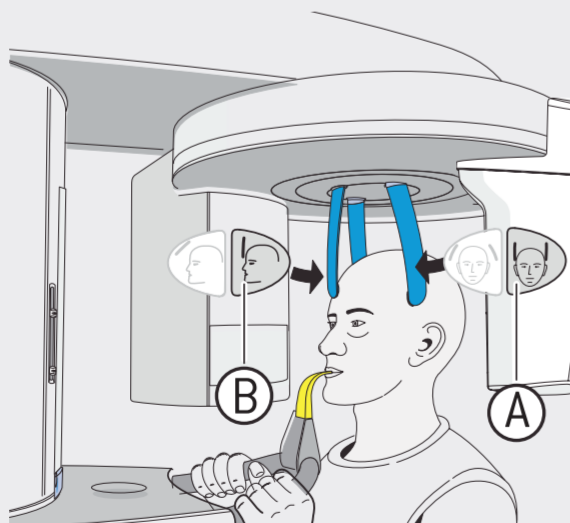
4 Checking the occlusal plane

Align the patient's head as much as possible along the occlusal plane (C). Correct the patient's head inclination as necessary. Press the height adjustment buttons, up (A) and down (B).



5 Head fixation

Check the midsagittal plane again. First close the temple supports (A) and then move the forehead support (B) until it just contacts the patient. Swivel the mirror back.



6 Before taking X-ray

While taking the X-Ray you will hear an acoustic signal. Instruct the patient to hold this position until the end of the exposure in order to avoid artefacts.



Please read the instructions for use for a more detailed description.

Caution: Strong disinfectants can corrode the surface of the device. Therefore do not use substances containing phenol, peracetic acid, peroxide or other oxygen-splitting agents, sodium hypochlorite or iodine-splitting agents. Use only cleaning and disinfecting agents approved by Dentsply Sirona! You can find more information at dentsplysirona.com/careagents